

# WPS4 PLUS

## Waffle Pack Feeder

### LOAD OR UNLOAD STACKS FULL OF PRODUCT WITHOUT INTERRUPTING PRODUCTION.

The **QUASYS PRODUCT** is the automation solution for waffle pack feeding. Load and unload stacks of up to 35 waffle packs without interrupting the assembly equipment.

- ✦ Dramatically increase throughput by automatically delivering trays non-stop
- ✦ Low cost of ownership
- ✦ Tray exchange in less than 5 seconds
- ✦ Compact Footprint – occupies less than 142 mm of feeder rail space
- ✦ Microprocessor controlled
- ✦ CE approved



### EASILY INTEGRATE WITH YOUR MACHINE:

SMT Assembly Equipment  
Singulation Equipment  
Device Programmers  
Test Handlers  
Die Bonders  
Inspection Equipment  
Custom Automation

# WPS4 PLUS

## Waffle Pack Feeder

### TECHNICAL SPECIFICATION

#### Capacity

35x4" Waffle Packs

#### Speed

Exchange < 5–7 seconds for most applications

#### Position Accuracy

Edge of tray repeatable to 0.05 mm

#### Flexibility

Microprocessor controlled  
Adjustable conveyor speed

#### Standards Compliance

SEMI S2 & S8, NFPA 70 & 79, CE

#### Electrical

24 VDC  $\pm$  10 %  
2 Amps (peak), 1.0 [A] continuous

#### Communication Signals

dIO, RS232, RS485, Ethernet UDP and  
TCP/IP, Vcom, SMEMA

#### Pneumatic

4.1–5.5 Bars (60–80 Psi)  
28.3 Liters/Minute (1 SCFM)

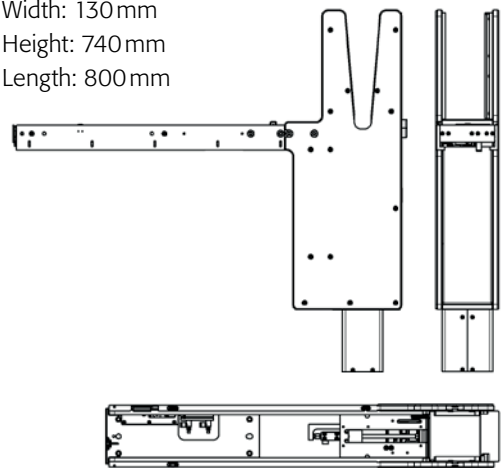
#### Weight

17 kg

#### Environment

10–35°C / 10–90 % R.H.

Feeder Width: 130 mm  
Feeder Height: 740 mm  
Feeder Length: 800 mm



#### QUASYS AG

Rothusstrasse 5a  
CH-6331 Hünenberg  
Switzerland  
sales@quasys.ch

#### ASIA

Auleetech Singapore  
Oliver Ackermann  
+65 6247 5157  
oliver.ackermann@  
auleetech.com

#### USA

Concord, NH  
Neil Burt  
+1 603-270-9180  
info@trayfeeders.com  
trayfeeders.com